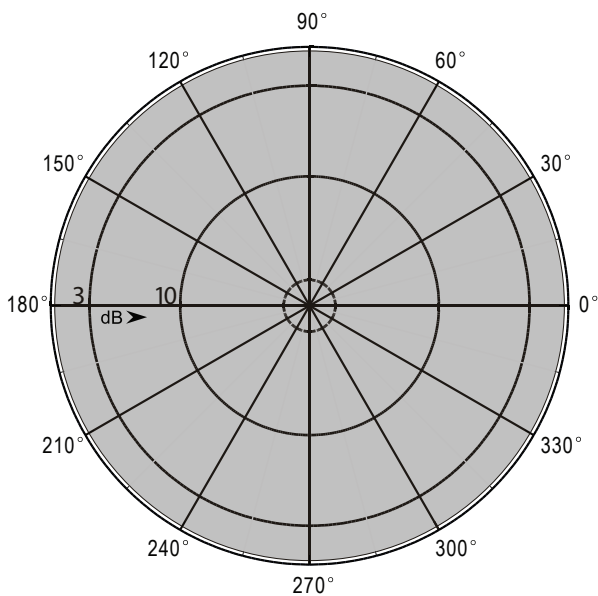


2dBi Omni-Directional Antenna

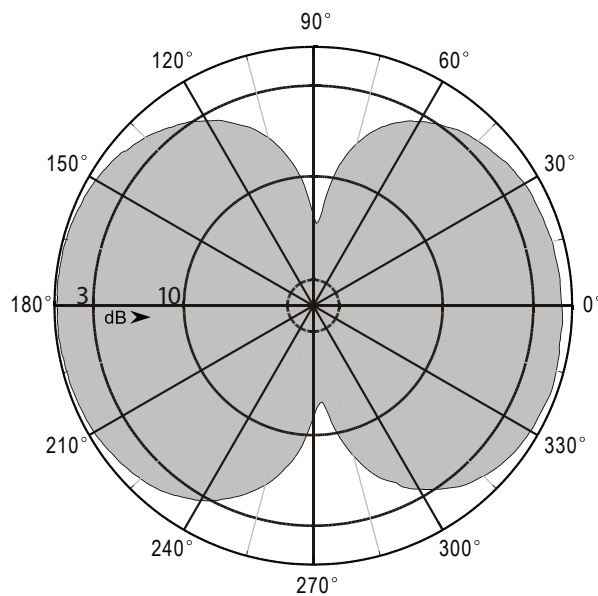
Part No: GSM-OM-IN-TRI
Doc V: 1.0



Part Number	GSM-OM-IN-TRI
Frequency Range	824 - 960 MHz 1710 - 2700MHz
VSWR	<1.8 : 1 Over all frequencys
Gain	2dBi
Impedance	50 Ohm
Polarization	Vertical
Max. Power (per band)	50W (at 50°C ambient temperature)
Diameter	20mm
Height (without connector)	180mm



Horizontal Pa tte rn



Vertica l Pa tte rn

